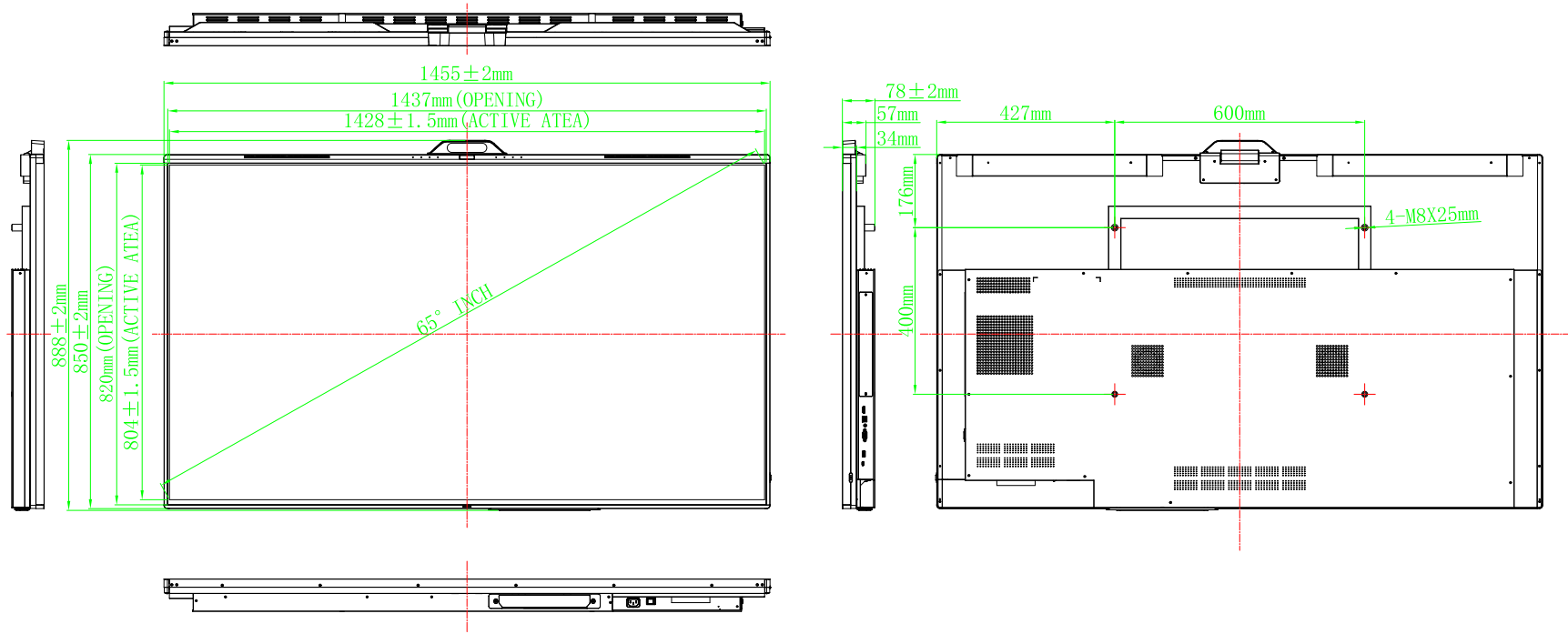


Sign	VER	Date	Change Description	Designer
\	1.0	\	初版发行	\
△	\	\	\	\
△				
△				

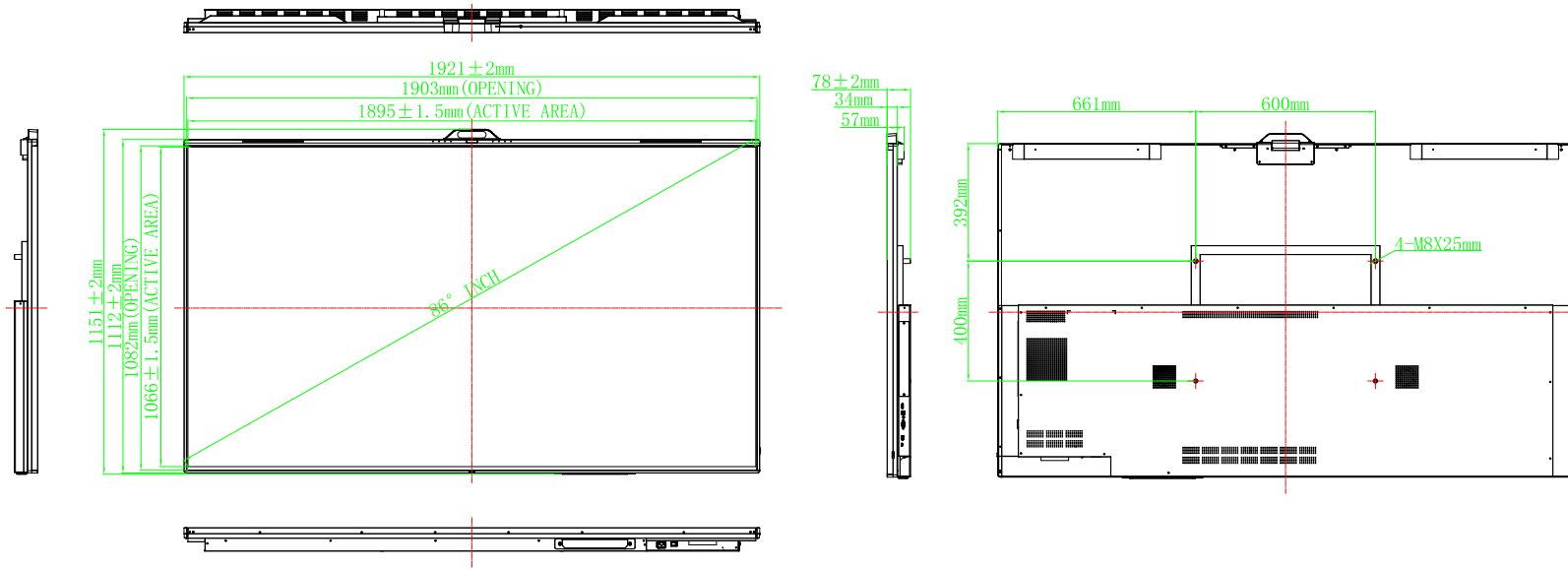
MAXHUB V6 Transcend Series 65英寸 (T6530)



TOLERANCES (Unless Otherwise Stated)		广州视睿电子科技有限公司 Guangzhou Shirui Electronics Co., Ltd.			
尺寸范围	公差	Project NO.	TF65FA-CS2372A-B	Unit	mm
≤ 63	± 0.10	Part NO.	TF65FA-CS2372A-B-M099	Scale	1:1
$63 < x \leq 160$	± 0.15	Part Name	整机六视图	Size	free
$160 < x \leq 400$	± 0.20	Material	\	Pages	1/1
$400 < x \leq 1000$	± 0.25	Color NO.	\	Designer	吴育文
> 1000	± 0.3				
Angle	$\pm 0.3^\circ$				
本公司适用于钣金开模件					
Third Projection					

MAXHUB V6 Transcend Series 86英寸 (T8630)

Sign	VER	Date	Change Description	Designer
\	1.0	\	初版发行	\
△	\	\	\	\
△				
△				



TOLERANCES (Unless Otherwise Stated)		广州视睿电子科技有限公司 Guangzhou Shirui Electronics Co., Ltd.			
尺寸范围	公差	Project NO.	TF86FA-CS3172A-B	Unit	mm
≤ 63	± 0.10	Part NO.	TF86FA-CS3172A-B-M099	Scale	1:1
$63 < x \leq 160$	± 0.15	Part Name	整机六视图	Size	free
$160 < x \leq 400$	± 0.20	Material	\	Pages	1/1
$400 < x \leq 1000$	± 0.25	Color NO.	本色	APV	
≥ 1000	± 0.3	Designer	吴育文		
Angle	± 0.3				

